

1. Basic terminology of networking

1.1 Network device and media symbols



Desktop Computer



Laptop



Firewall



IP Phone



LAN Switch



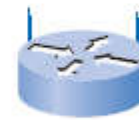
Router



Server



Cloud



Wireless Router



Wireless Media



LAN Media



WAN Media

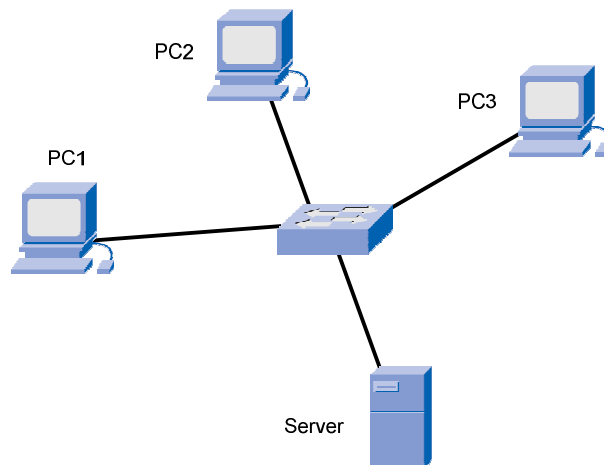
1.2 LAN

Definition:

LAN = Local Area Network

A LAN is a group of end devices that can communicate over a “local” network and that are under the control of a common administration.

Example:

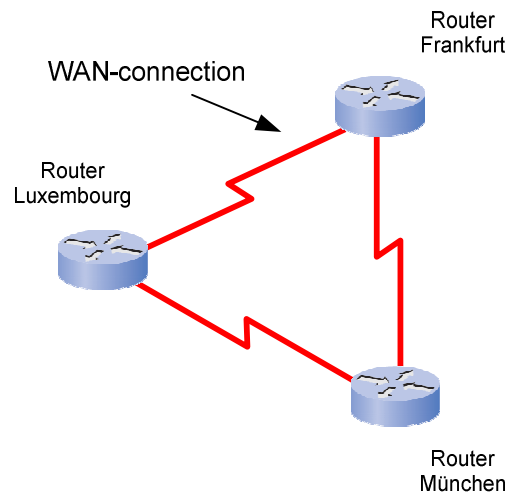


1.3 WAN

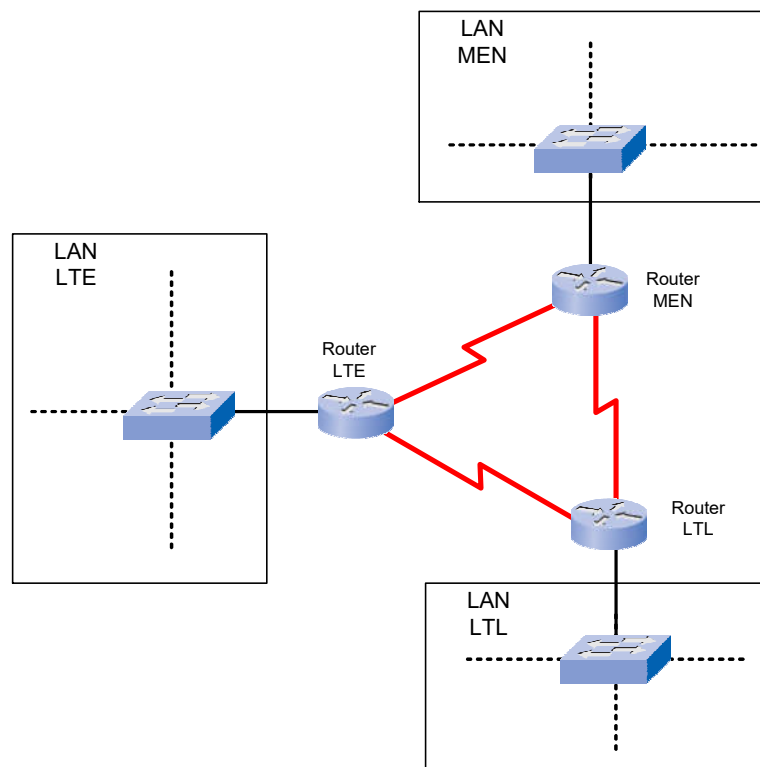
Definition:

WAN = Wide Area Network

A WAN is a network of communication lines built to overcome long distances.

Example:**1.4 Internetwork****Definition:**

An *Internetwork* is a collection of two or more LANs connected by WAN-lines.

Example:

1.5 Internet

Definition:

The *Internet* is a public Internetwork.

1.6 Host

Definition:

A *host* is a device connected to a network.

1.7 Client

Definition:

A *client* is a device requesting an information.

1.8 Server

Definition:

A *server* is a device responding to the request of a client.

1.9 Protocol

All communication, whether face-to-face or over a network, is governed by predetermined *rules* called *protocols*